

Panel Mount Brass Ball Valve—Straight

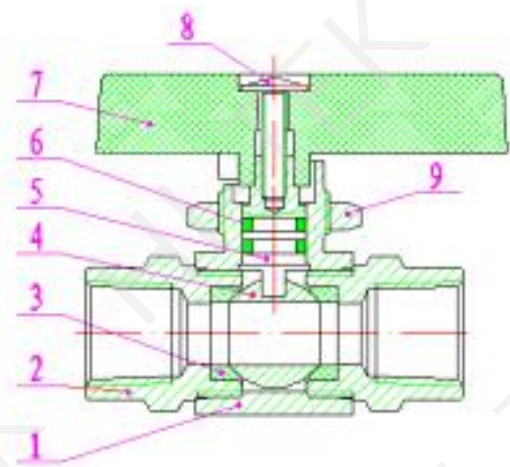
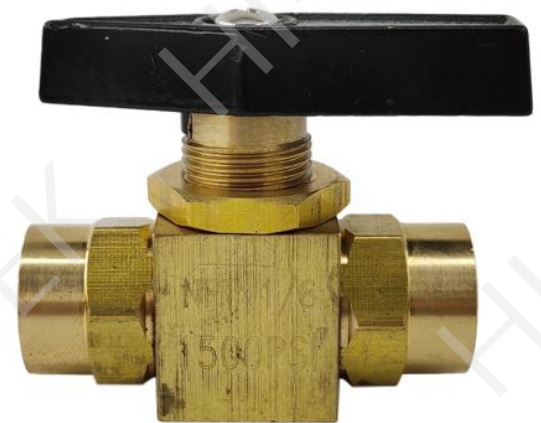


Brass Body, Cr-plated Ball, Brass Stem, PTFE Seat,
 Viton Seals,
 Plastic Handle,
 Panel-mount hole is 9/16 inch dia
 Standard Port

Working Pressure:

1/8 to 1/4 1500PSI

3/8 to 1/2 1000PSI



Connection :Female × Female

Size	Item No.
1/8	BY1500-12F
1/4	BY1500-25F
3/8	BY1500-33F
1/2	BY1500-50F

Item	Part	material
1	Body	Brass
2	Cap	Brass
3	Sealing seat	PTFE
4	Ball	Brass
5	Stem	Brass
6	O-ring	Rubber
7	Handle	Nylon
8	Screw	Steel
9	Nut	Brass

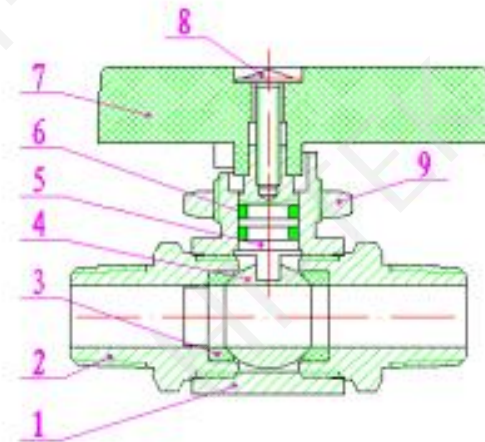
Panel Mount Brass Ball Valve—Straight

Brass Body,Cr-plated Ball,Brass Stem,PTFE Seat,
Viton Seals,
Plastic Handle,
Panel-mount hole is 9/16inch dia
Standard Port

Working Pressure:

1/8 to 1/4 1500PSI

3/8 to 1/2 1000PSI



Connection :Male×Male

Size	Item No.
1/8	BY1500-12M
1/4	BY1500-25M
3/8	BY1500-33M
1/2	BY1500-50M

Item	Part	material
1	Body	Brass
2	Cap	Brass
3	Sealing seat	PTFE
4	Ball	Brass
5	Stem	Brass
6	O-ring	Rubber
7	Handle	Nylon
8	Screw	Steel
9	Nut	Brass

Panel Mount Brass Ball Valve—Straight

Brass Body,Cr-plated Ball,Brass Stem,PTFE Seat,
Viton Seals,
Plastic Handle,

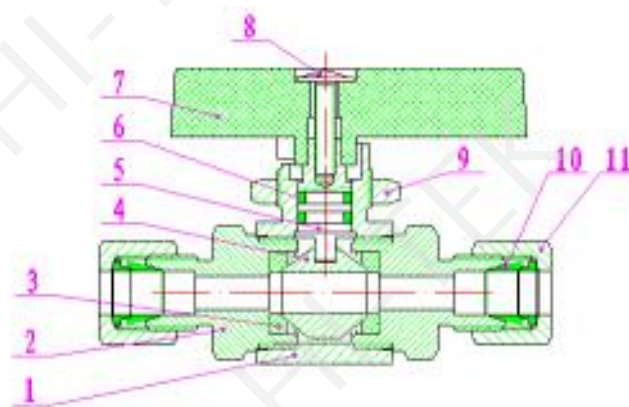
Panel-mount hole is 9/16inch dia

Standard Port

Working Pressure:

1/8 to 1/4 1500PSI

3/8 to 1/2 1000PSI



Connection :Compression tube fitting

Size	Item No.
1/8	BY1500-12D
1/4	BY1500-25D
3/8	BY1500-33D
1/2	BY1500-50D

Item	Part	material
1	Body	Brass
2	Cap	Brass
3	Sealing seat	PTFE
4	Ball	Brass
5	Stem	Brass
6	O-ring	Rubber
7	Handle	Nylon
8	Screw	Steel
9	Nut	Brass

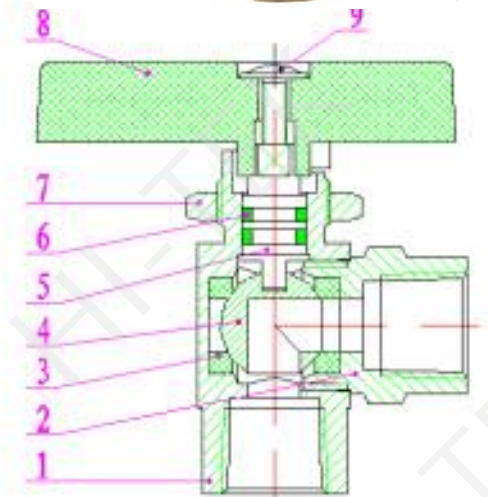
Panel Mount Brass Ball Valve—Angle

Brass Body,Cr-plated Ball,Brass Stem,PTFE Seat,
Viton Seals,
Plastic Handle,
Panel-mount hole is 9/16inch dia
Standard Port

Working Pressure:

1/8 to 1/4 1500PSI

3/8 to 1/2 1000PSI



Connection :Female×Female

Size	Item No.
1/8	BY1501-12F
1/4	BY1501-25F
3/8	BY1501-33F
1/2	BY1501-50F

Item	Part	material
1	Body	Brass
2	Cap	Brass
3	Sealing seat	PTFE
4	Ball	Brass
5	Stem	Brass
6	O-ring	Rubber
7	Handle	Nylon
8	Screw	Steel
9	Nut	Brass

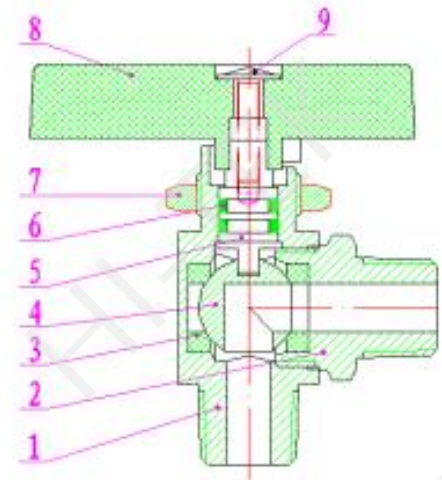
Panel Mount Brass Ball Valve—Angle

Brass Body,Cr-plated Ball,Brass Stem,PTFE Seat,
Viton Seals,
Plastic Handle,
Panel-mount hole is 9/16inch dia
Standard Port

Working Pressure:

1/8 to 1/4 1500PSI

3/8 to 1/2 1000PSI



Connection :Male×Male

Size	Item No.
1/8	BY1501-12M
1/4	BY1501-25M
3/8	BY1501-33M
1/2	BY1501-50M

Item	Part	material
1	Body	Brass
2	Cap	Brass
3	Sealing seat	PTFE
4	Ball	Brass
5	Stem	Brass
6	O-ring	Rubber
7	Handle	Nylon
8	Screw	Steel
9	Nut	Brass

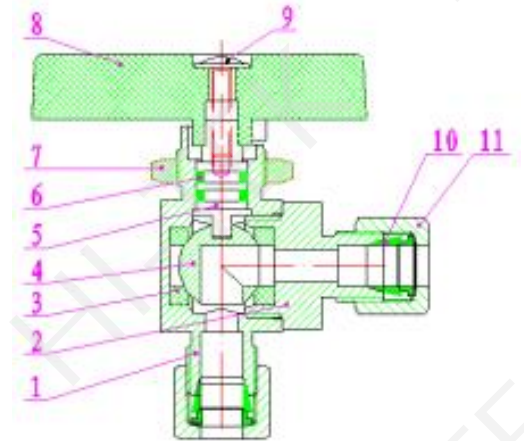
Panel Mount Brass Ball Valve—Angle

Brass Body,Cr-plated Ball,Brass Stem,PTFE Seat,
Viton Seals,
Plastic Handle,
Panel-mount hole is 9/16inch dia
Standard Port

Working Pressure:

1/8 to 1/4 1500PSI

3/8 to 1/2 1000PSI



Connection :Compression tube fitting

Size	Item No.
1/8	BY1501-12D
1/4	BY1501-25D
3/8	BY1501-33D
1/2	BY1501-50D

Item	Part	material
1	Body	Brass
2	Cap	Brass
3	Sealing seat	PTFE
4	Ball	Brass
5	Stem	Brass
6	O-ring	Rubber
7	Handle	Nylon
8	Screw	Steel
9	Nut	Brass

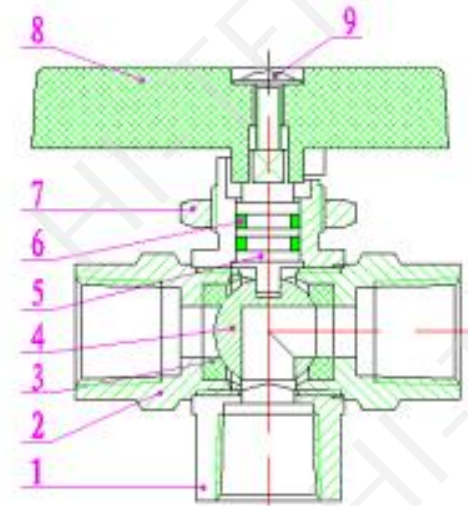
3-Way Panel Mount Brass Ball Valve

Brass Body,Cr-plated Ball,Brass Stem,PTFE Seat,
Viton Seals,
Plastic Handle,
Panel-mount hole is 9/16inch dia
Standard Port

Working Pressure:

1/8 to 1/4 1500PSI

3/8 to 1/2 1000PSI



Connection :Female × Female

Size	Item No.
1/8	BY1502-12F
1/4	BY1502-25F
3/8	BY1502-33F
1/2	BY1502-50F

Item	Part	material
1	Body	Brass
2	Cap	Brass
3	Sealing seat	PTFE
4	Ball	Brass
5	Stem	Brass
6	O-ring	Rubber
7	Handle	Nylon
8	Screw	Steel
9	Nut	Brass

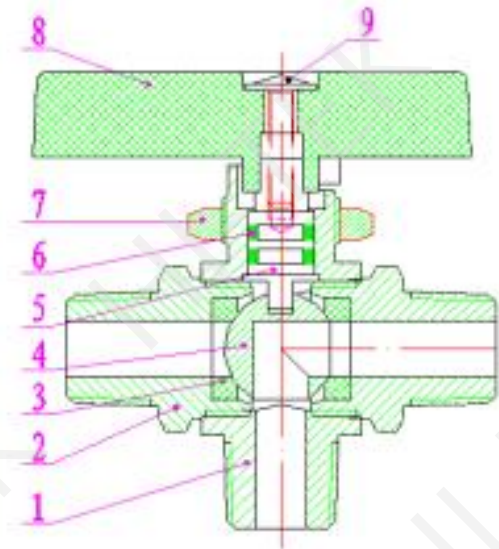
3-Way Panel Mount Brass Ball Valve

Brass Body,Cr-plated Ball,Brass Stem,PTFE Seat,
Viton Seals,
Plastic Handle,
Panel-mount hole is 9/16inch dia
Standard Port

Working Pressure:

1/8 to 1/4 1500PSI

3/8 to 1/2 1000PSI



Connection :Male × Male × Male

Size	Item No.
1/8	BY1502-12M
1/4	BY1502-25M
3/8	BY1502-33M
1/2	BY1502-50M

Item	Part	material
1	Body	Brass
2	Cap	Brass
3	Sealing seat	PTFE
4	Ball	Brass
5	Stem	Brass
6	O-ring	Rubber
7	Handle	Nylon
8	Screw	Steel
9	Nut	Brass

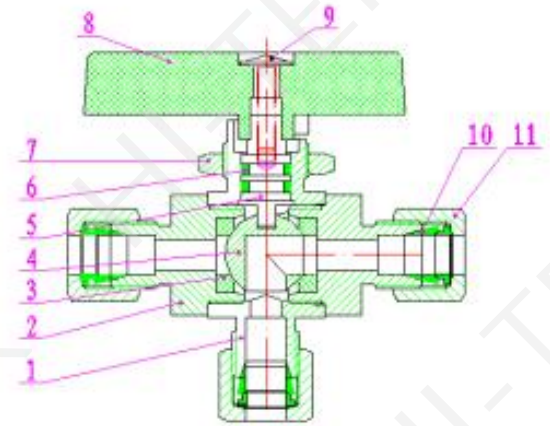
3-Way Panel Mount Brass Ball Valve

Brass Body,Cr-plated Ball,Brass Stem,PTFE Seat,
Viton Seals,
Plastic Handle,
Panel-mount hole is 9/16inch dia
Standard Port

Working Pressure:

1/8 to 1/4 1500PSI

3/8 to 1/2 1000PSI



Connection :Compression tube fitting

Size	Item No.
1/8	BY1502-12D
1/4	BY1502-25D
3/8	BY1502-33D
1/2	BY1502-50D

Item	Part	material
1	Body	Brass
2	Cap	Brass
3	Sealing seat	PTFE
4	Ball	Brass
5	Stem	Brass
6	O-ring	Rubber
7	Handle	Nylon
8	Screw	Steel
9	Nut	Brass