



HUBEI HI-TEK VALVE AND FITTING CO.,LTD

Address: Guilin North Road, Tuanchengshan, Xialu District,
Huangshi City, Hubei Province, China

Email: yanadu@hitekvalve.com

Tel: 86-0714-6387131

Pho: +86 17362766982



MINI BALL VALVE F*F

Features:

1000 PSI/PN63

Reduce Port

Investment Casting

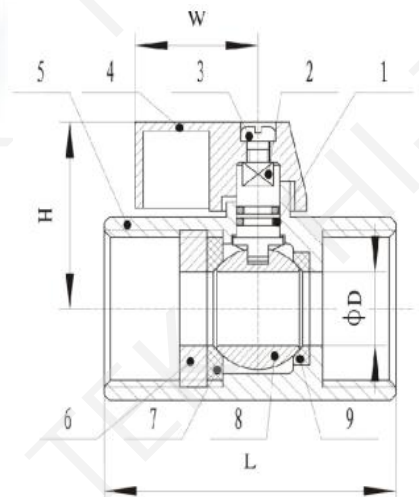
Blow-out Proof Stem

Sanitary Design

Thread: ASME B1.20.1, BS21.0,

DIN2999/259, ISO228-1, JIS B 0203, ISO7/1

Inspection Testing: API598,en12266



Material

Item	Designation	Material
1	O-ring	NBR
2	Stem	SUS 304
3	Bolt	SUS 304
4	Lever	Aluminum Alloy/CF8
5	Body	CF8/CF8M
6	Cap	CF8/CF8M
7	Ball Seat(a)	RPTFE
8	Ball	CF8/CF8M
9	Ball Seat(b)	RPTFE

Dimension

Item	Size	1/8"	1/4"	3/8"	1/2"	3/4"	1"
D		7	7	7	9.2	12.5	15
H		26.5	26.5	26.5	28.3	31.5	34
W		22.8	22.8	22.8	22.8	22.8	22.8
L		42	42	42	46	54	65



MINI BALL VALVE M*F

Features:

1000 PSI/PN63

Reduce Port

Investment Casting

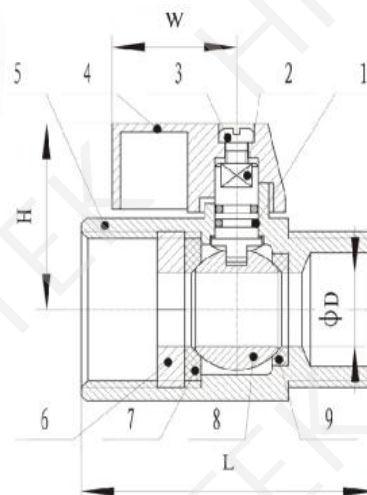
Blow-out Proof Stem

Sanitary Design

Thread: ASME B1.20.1, BS21.0,

DIN2999/259, ISO228-1, JIS B 0203, ISO7/1

Inspection Testing: API598,en12266



Material

Item	Designation	Material
1	O-ring	NBR
2	Stem	SUS 304
3	Bolt	SUS 304
4	Lever	Aluminum Alloy/CF8
5	Body	CF8/CF8M
6	Cap	CF8/CF8M
7	Ball Seat(a)	RPTFE
8	Ball	CF8/CF8M
9	Ball Seat(b)	RPTFE

Dimension

Item \ Size	1/8"	1/4"	3/8"	1/2"	3/4"	1"
D	7	7	7	9.2	12.5	15
H	26.5	26.5	26.5	28.3	31.5	34
W	22.8	22.8	22.8	22.8	22.8	22.8
L	42	42	42	46	54	65



MINI BALL VALVE M*M

Features:

1000 PSI/PN63

Reduce Port

Investment Casting

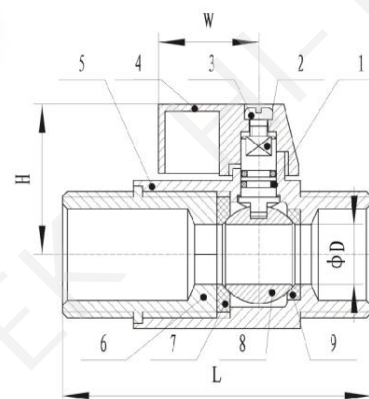
Blow-out Proof Stem

Sanitary Design

Thread: ASME B1.20.1, BS21.0,

DIN2999/259, ISO228-1, JIS B 0203, ISO7/1

Inspection Testing: API598,en12266



Material

Item	Designation	Material
1	O-ring	NBR
2	Stem	SUS 304
3	Bolt	SUS 304
4	Lever	Aluminum Alloy/CF8
5	Body	CF8/CF8M
6	Cap	CF8/CF8M
7	Ball Seat(a)	RPTFE
8	Ball	CF8/CF8M
9	Ball Seat(b)	RPTFE

Dimension

Item \ Size	1/8"	1/4"	3/8"	1/2"	3/4"	1"
D	7	7	7	9.2	12.5	15
H	26.5	26.5	26.5	28.3	31.5	34
W	22.8	22.8	22.8	22.8	22.8	22.8
L	50	50	50	58	71.5	83



MINI BALL VALVE (R & D AND DESIGN)

Features:

1000 PSI/PN63

Reduce Port

Investment Casting

Blow-out Proof Stem

Sanitary Design

Thread: ASME B1.20.1, BS21.0,

DIN2999/259, ISO228-1, JIS B 0203, ISO7/1

Inspection Testing: API598,en12266



Environmental protection industry



Liquor - making industry



Water purification industry

Material

Item	Designation	Material
1	O-ring	NBR
2	Stem	SUS 304
3	Bolt	SUS 304
4	Lever	Aluminum Alloy/CF8
5	Body	CF8/CF8M
6	Cap	CF8/CF8M
7	Ball Seat(a)	RPTFE
8	Ball	CF8/CF8M
9	Ball Seat(b)	RPTFE



Biotech industry

MINI BALL VALVE (R & D AND DESIGN)

Features:

1000 PSI/PN63

Reduce Port

Investment Casting

Blow-out Proof Stem

Sanitary Design

Thread: ASME B1.20.1, BS21.0,

DIN2999/259, ISO228-1, JIS B 0203, ISO7/1

Inspection Testing: API598,en12266



Machinery industry

Material

Item	Designation	Material
1	O-ring	NBR
2	Stem	SUS 304
3	Bolt	SUS 304
4	Lever	Aluminum Alloy/CF8
5	Body	CF8/CF8M
6	Cap	CF8/CF8M
7	Ball Seat(a)	RPTFE
8	Ball	CF8/CF8M
9	Ball Seat(b)	RPTFE



Food industry



Agricultural and garden industry



Healthcare industry

MINI BALL VALVE (R & D AND DESIGN)

Features:

1000 PSI/PN63

Reduce Port

Investment Casting

Blow-out Proof Stem

Sanitary Design

Thread: ASME B1.20.1, BS21.0,

DIN2999/259, ISO228-1, JIS B 0203, ISO7/1

Inspection Testing: API598,en12266

Material

Item	Designation	Material
1	O-ring	NBR
2	Stem	SUS 304
3	Bolt	SUS 304
4	Lever	Aluminum Alloy/CF8
5	Body	CF8/CF8M
6	Cap	CF8/CF8M
7	Ball Seat(a)	RPTFE
8	Ball	CF8/CF8M
9	Ball Seat(b)	RPTFE



Petrochemical industry



Industry



Medicine industry



Drinking water industry